

PRODUCT INFORMATION PACKET

Model No: 048C17F2000

Catalog No: F201

Auger Drive Motor, 0.33 & 0.33 HP, 1 Ph, 60 & 50 Hz, 115/230 & 110/220 V, 1800 & 1500 RPM,
48NZ Frame, TEFC



Regal and Marathon are trademarks of Regal Rexnord Corporation or one of its affiliated companies.

©2024 Regal Rexnord Corporation, All Rights Reserved. MC017097E

Nameplate Specifications

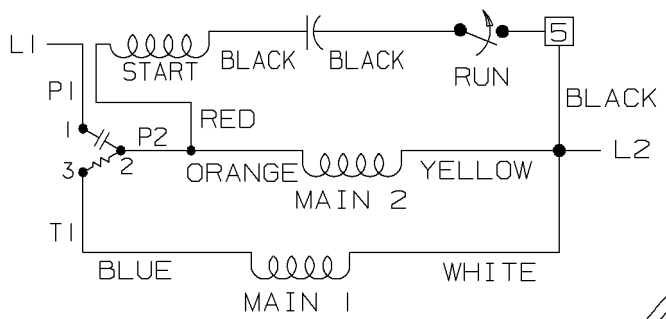
Phase	1	Output HP	0.33 & 0.33 Hp
Output KW	0.25 & 0.25 kW	Voltage	115/230 & 110/220 V
Speed	1725 & 1425 rpm	Service Factor	1.0 & 1.0
Frame	48NZ	Enclosure	Totally Enclosed Fan Cooled
Thermal Protection	Manual	Efficiency	70 & 64 %
Ambient Temperature	40 °C	Frequency	60 & 50 Hz
Current	5/2.5 & 5.8/2.9 A	Power Factor	62
Duty	Continuous	Insulation Class	F
Design Code	NO DESIGN CODE	KVA Code	K
Drive End Bearing Size	6203	Opp Drive End Bearing Size	6203
UL	Recognized	CSA	Y
CE	Y	IP Code	43
Number of Speeds	1		

Technical Specifications

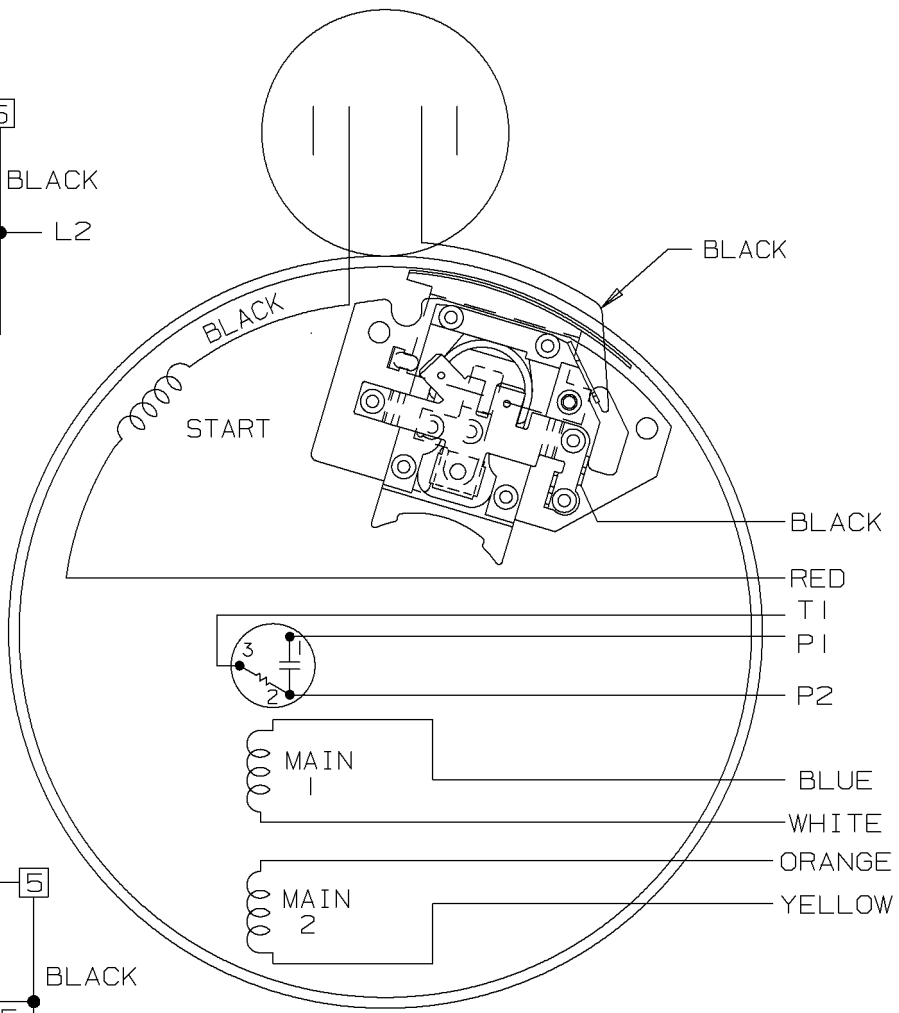
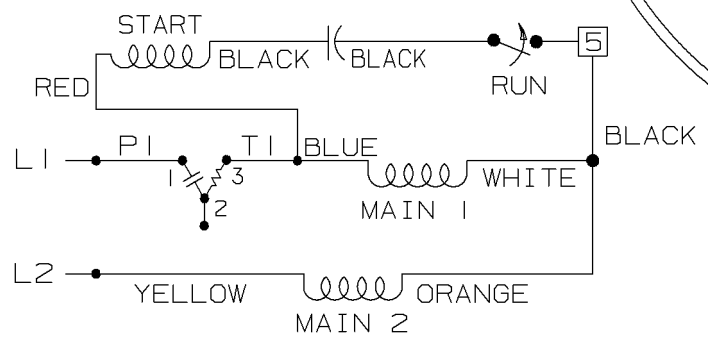
Electrical Type	Capacitor Start Induction Run	Starting Method	Across The Line
Poles	4	Rotation	Selective Counterclockwise
Resistance Main	0 Ohms	Mounting	Resilient Rings
Motor Orientation	Horizontal	Drive End Bearing	Ball
Opp Drive End Bearing	Ball	Frame Material	Rolled Steel
Shaft Type	Special Extension Both Sides	Overall Length	11.31 in
Frame Length	6.50 in	Shaft Diameter	0.500 in
Shaft Extension	1.54 in	Assembly/Box Mounting	F1 ONLY
Outline Drawing	A-SS400402-650	Connection Drawing	A-EE9023T

A- EE9023T

LOW VOLTAGE C.C.W.

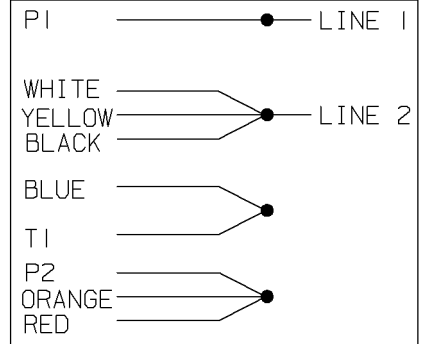


HIGH VOLTAGE C.C.W.

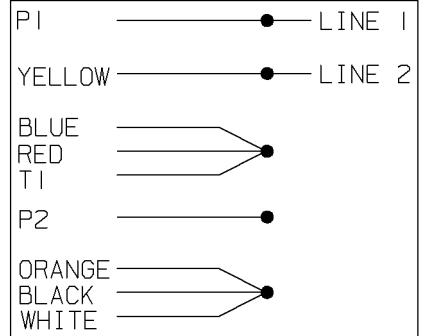


DUAL VOLTAGE
CAPACITOR START
OVERLOAD SELECT
ROTATION

LOW VOLT. CCW ROT.



HIGH VOLT. CCW ROT.



FOR CW ROT. EITHER
VOLTAGE INTERCHANGE
RED WITH BLACK LEAD.

				✓ MAX. SURFACE ROUGHNESS UNLESS NOTED OTHERWISE	UNLESS OTHERWISE SPECIFIED DIMENSIONS ARE IN INCHES TOL. ON XX± XXX±.005 XXXX±.0005 ANGLES±			
				MATL SPEC				DRAWN BY MJD 08-18-1998
				FINISH				CHKD BY ML 08-18-1998
1	08-18-1998	NEW DRAWING		MJD	REFERENCE DRW.	WAUSAU, WISCONSIN 54401		APPD BY GK 08-18-1998
REV	DATE	CHANGE		PART NAME CONNECTION DIAGRAM			DRWG NO A- EE9023T	

SHOP BOOK PURCHASED DISTRIBUTION - WA - LB - WP - LM - BR CADD FILE NO. EE9023T

EC Declaration of Conformity

The undersigned representing
the manufacturer:

Regal Beloit America
100 East Randolph St.
Wausau, WI 54401

and the authorized representative
established within the Community:

Marathon Electric UK
6F Thistleton Road Ind. Estate
Market Overton
Oakham, Rutland LE15 7PP UK

are committed to providing customers with products that comply with applicable regulations and international protocols to which they are subject, including the requirements of the European Parliament Directive on the Harmonization of the laws relating to electrical equipment designed for use within certain voltage limits (2014/35/EU).

Regal Beloit America declares that the following product(s), to which this declaration relates, are in conformity with the relevant sections of the EC standards listed below.

This statement supersedes any statements previously issued pertaining to the product(s) listed below and is subject to change without notice.

Model No : 048C17F2000

(Model No. may contain prefix and/or suffix characters)

Catalog No : F201

Rework No : N/A

Directives :

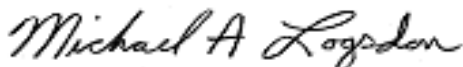
Low Voltage Directive 2014/35/EU

Harmonized Standards Used :

EN 60034-1: 2010 (IEC 60034-1: 2010)

EN 60034-5: 2001/A1:2007 (IEC 60034-5: 2000/A1:2006)

Authorized Representative:



Michael A. Logsdon
Vice President, Technology

Authorized Representative in the Community:



Julian Clark
Marketing Engineer

Created on 09/06/2022

CE 22